

# SPECIFICATIONS FOR OLED MODULE

MODEL NO.  
BL12864G3ERNHn\$  
VER.02



FOR MESSRS:

---

ON DATE OF:

---

APPROVED BY:

---

**BOLYMIN, INC.**

5F, No. 38, Keya Rd., Daya Dist., Central Taiwan Science Park, Taichung City, 42881, Taiwan.

Web Site:<http://www.bolymin.com.tw> TEL:+886-4-25658689 FAX:+886-4-25658698

### History of Version

Version	Contents	Date	Note
01	NEW VERSION	2016/01/25	SPEC.
02	NEW VERSION	2016/11/16	SPEC.

## CONTENTS

1. Numbering System
2. General Specification
3. Absolute Maximum Rating
4. Electrical Characteristics
5. Optical Characteristics
6. Interface Pin Function
7. Power supply for LCD Module
8. Drawing
9. SPD0301 controller data
  - 9.1 Timing Characteristics
  - 9.2 Display Control Instruction
10. Quality Assurance
  - 10.1 Inspection conditions
  - 10.2 Inspection Parameters
  - 10.3 WARRANTY POLICY
  - 10.4 MTBF
11. Reliability
12. Precautions for Handling
13. Precautions for Electrical
  - 13.1 Design using the settings in the specification
  - 13.2 Maximum Ratings
  - 13.3 Power on/off procedure
  - 13.4 Power savings
  - 13.5 Residual Image (Image Sticking)
14. Precautions for Storage

# 1. Numbering System

<u>B</u>	<u>L</u>	<u>12864</u>	<u>G3</u>	<u>E</u>	<u>R</u>	<u>N</u>	-	<u>H</u>	<u>n\$</u>
0	1	2	3	4	5	6	7	8	9

<b>0</b>	Brand	Bolymin	
<b>1</b>	Module Type	C= character type G= graphic type P= TAB/TCP type R=color STN	O= COG type F= COF type L=PLED/OLED
<b>2</b>	Format	2002=20 characters, 2 lines 12232= 122 x 32 dots	
<b>3</b>	Version No.	A type	
<b>4</b>	LCD Color	W=OLED/White G=STN/gray Y=STN/yellow-green C=color STN	B=blue F=FSTN T=TN E=OLED/yellow
<b>5</b>	LCD Type	R=positive/reflective P=positive/transflective	M=positive/transmissive N=negative/transmissive
<b>6</b>	Backlight type/color	L=LED array/ yellow-green H=LED edge/white R=LED array/red G=LED edge/yellow-green F=RGB Q=LED edge/red A=LED edge/amber N=No backlight	D=LED edge/blue E=EL/white B=EL/blue C=CCFL/white Y=LED Bottom/yellow O=LED array/orange K=LED edge/green A=LED edge/amber
<b>7</b>	CGRAM Font (applied only on character type)	J=English/Japanese Font E=English/European Font G=Chinese(simple) F=Chinese(traditional)	C=English/Cyrillic Font H=English/Hebrew Font A=English/Arabic Font
<b>8</b>	View Angle/ Operating Temperature	B=Bottom/Normal Temperature H=Bottom/Wide Temperature U=Bottom/Ultra wide Temperature	T=Top/Normal Temperature W=Top/Wide Temperature C=9H/Normal Temperature E=Top/ultra wide temperature
<b>9</b>	Special Code	n=positive voltage for LCD \$:RoHS	

## 2. General Specification

### (1) Mechanical Dimension

Item	Standard Value	Unit
Number of dots	128×64	dots
Module dimension (L*W*H)	73.4*56.1*9.5	mm
View area	60.0*30.0	mm
Active area	55.01*27.49	mm
Dot size	0.40(W)×0.40(H)	mm
Dot pitch	0.43(W)×0.43 (H)	mm

(2) Controller IC: SPD0301 Controller

### (3) Temperature Range

Operating	-40 ~ +70°C
Storage	-40 ~ +85°C

## 3. Absolute Maximum Ratings

Item	Symbol	Condition	Min	Typ	Max	Unit
Operating Temperature	TOP		-40	—	+70	°C
Storage Temperature	TST		-40	—	+85	°C
Input Voltage	VI		—	—	VDD	V
Operating life time		90cd/m <sup>2</sup> , 50% checkerboard	66000(1)			Hrs
Operating life time		70cd/m <sup>2</sup> , 50% checkerboard	85000(2)			Hrs
Operating life time		50cd/m <sup>2</sup> , 50% checkerboard	110000(3)			Hrs

Note:(A) Under VCC = 13V, Ta = 25°C, 50% RH.

(B) Life time is defined the amount of time when the luminance has decayed to less than 50% of the initial measured luminance.

(1) Setting of 90 cd/m<sup>2</sup> :

Contrast setting : 0x6E-      Frame rate : 105Hz-      Duty setting : 1/64

(2) Setting of 70 cd/m<sup>2</sup> :

Contrast setting : 0x4E-      Frame rate : 105Hz-      Duty setting : 1/64

(3) Setting of 50 cd/m<sup>2</sup> :

Contrast setting : 0x2E-      Frame rate : 105Hz-      Duty setting : 1/64

## 4. Electrical Characteristics

Item	Symbol	Condition	Min.	Typ.	Max.	Unit
Supply Voltage (V <sub>DD</sub> )	V <sub>DD</sub> -V <sub>SS</sub>	—	2.7	3.0	3.3	V
Supply Voltage (V <sub>cc</sub> )	V <sub>cc</sub> -V <sub>SS</sub>		13.5	14	14.5	V
Input High Vol	V <sub>IH</sub>	—	0.8V <sub>DD</sub>	—	—	V
Input Low Vol	V <sub>IL</sub>	—	—	—	0.2V <sub>DD</sub>	V
Output High Vol	V <sub>OH</sub>	—	0.9V <sub>DD</sub>	—	—	V
Output Low Vol.	V <sub>OL</sub>	—	—	—	0.1V <sub>DD</sub>	V
Supply Current (with positive voltage)	I <sub>DD</sub>	—	—	135	200	mA

## 5. Optical Characteristics

Item		Min.	Typ.	Max.	Unit
View Angle		160	—	—	deg
Dark Room contrast		2000:1	—	—	—
Response Time		—	10	—	us
Pixel Luminance		50	70	—	cd/m <sup>2</sup>
CIE	X	0.44	0.48	0.52	CIE1931
	Y	0.46	0.50	0.54	

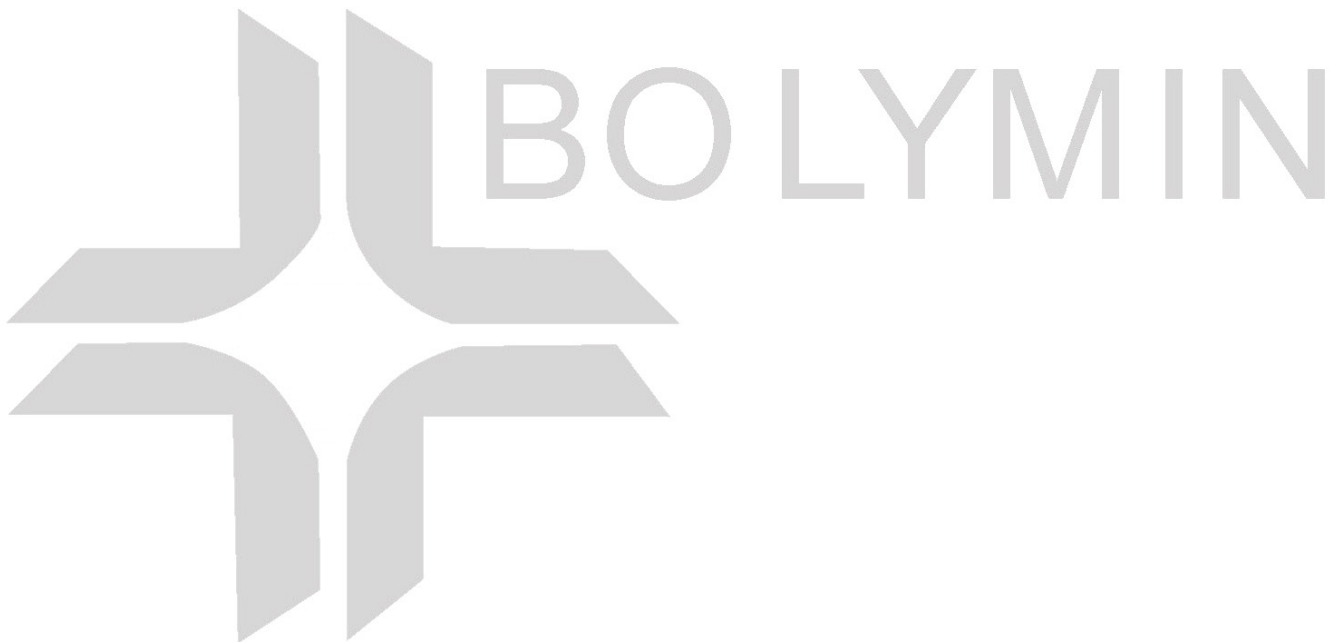
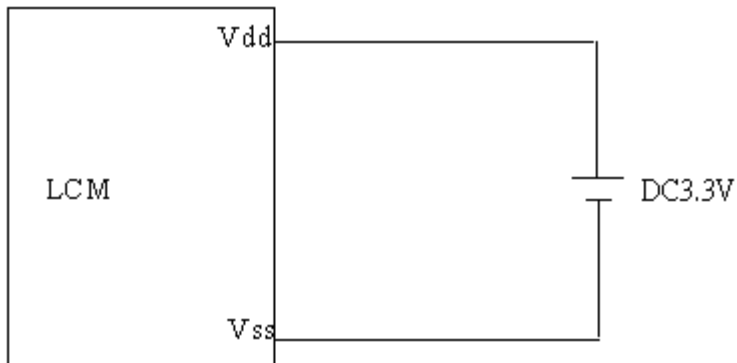
## 6. Interface Pin Function

Pin No.	Symbol	Level	Description
1	V <sub>dd</sub>	3.3V	Supply voltage for logic
2	V <sub>ss</sub>	0V	Ground
3	NC	—	No connection
4	DB0	H/L	Data bus line
5	DB1	H/L	Data bus line
6	DB2	H/L	Data bus line
7	DB3	H/L	Data bus line
8	DB4	H/L	Data bus line
9	DB5	H/L	Data bus line
10	DB6	H/L	Data bus line
11	DB7	H/L	Data bus line
12	CS	H/L	Chip select pin
13	NC	—	No connection
14	/RES	H/L	Hardware Reset pin
15	WR	H/L	8080: data write enable pin 6800: Read/Write select pin
16	RS	H/L	H: Data; L: Command.
17	RD	H/L	8080: data read enable pin 6800: Read/Write enable pin
18	NC	—	No connection
19	DISF VCC	H/L H	DISF: VCC Voltage ON/OFF VCC: Supply Voltage For OLED
20	NC	—	No connection

※80 Series Interface is Default  
 (6800 series MPU interface is option)  
 (SPI interface is option)

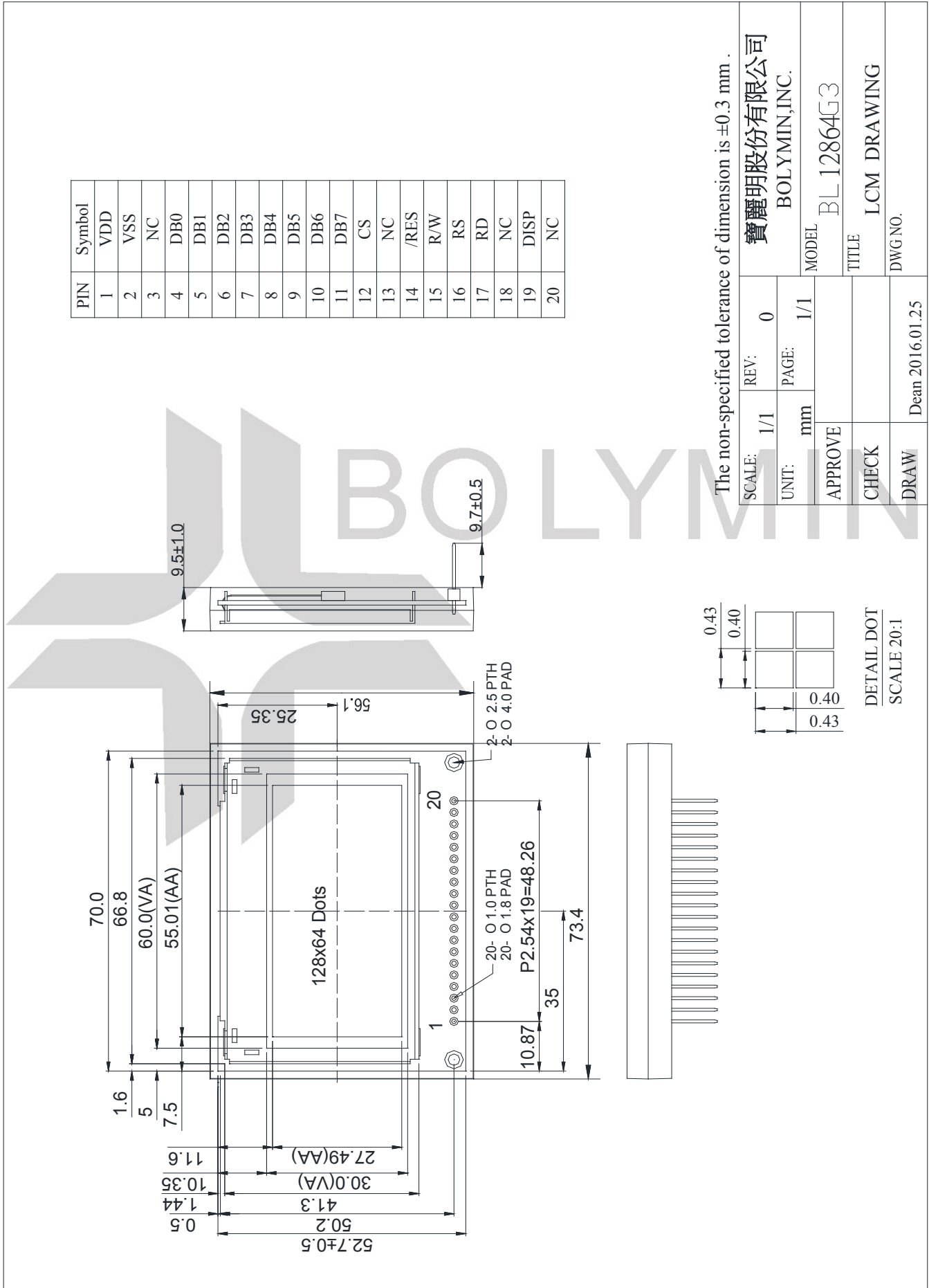
## 7. Power supply for LCD Module

\* LCM operating on "DC 3.3V " input with built-in positive voltage





## 8. Drawing

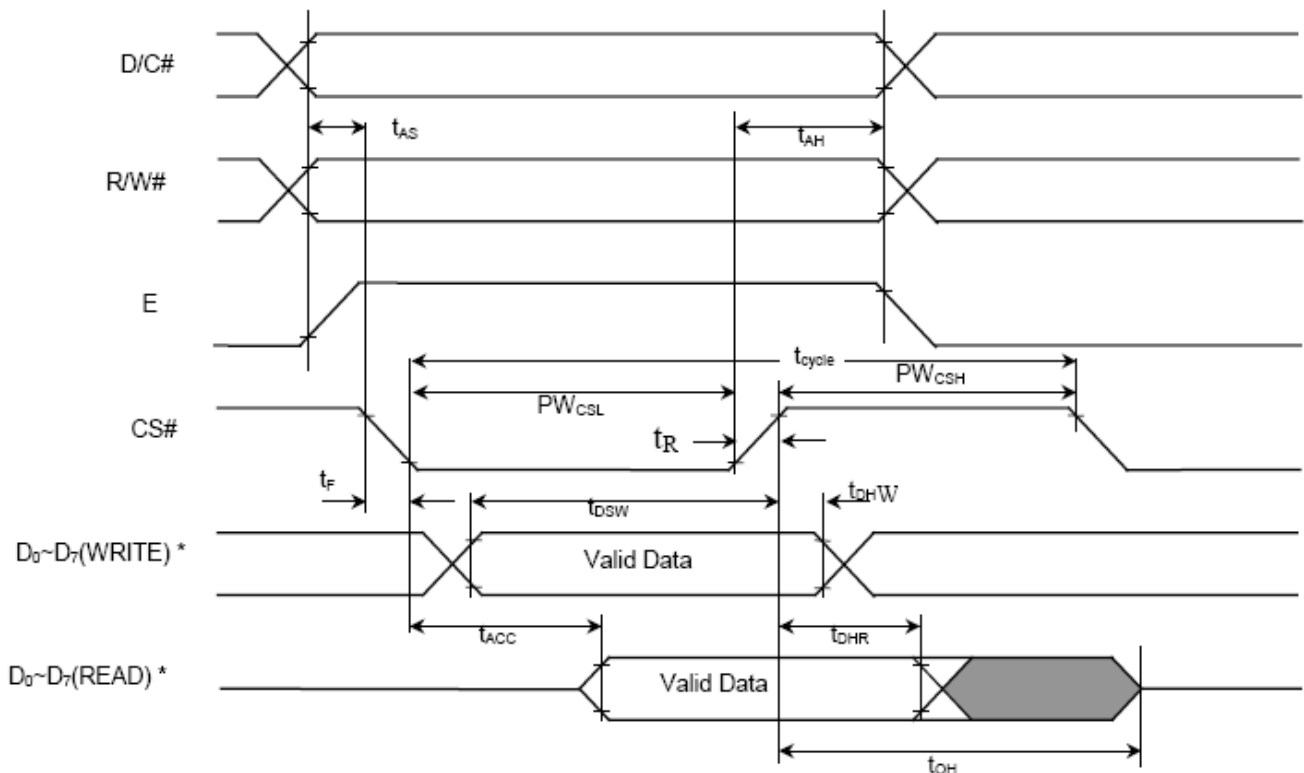


## 9. SPD0301 controller data

### 9.1 Timing Characteristics

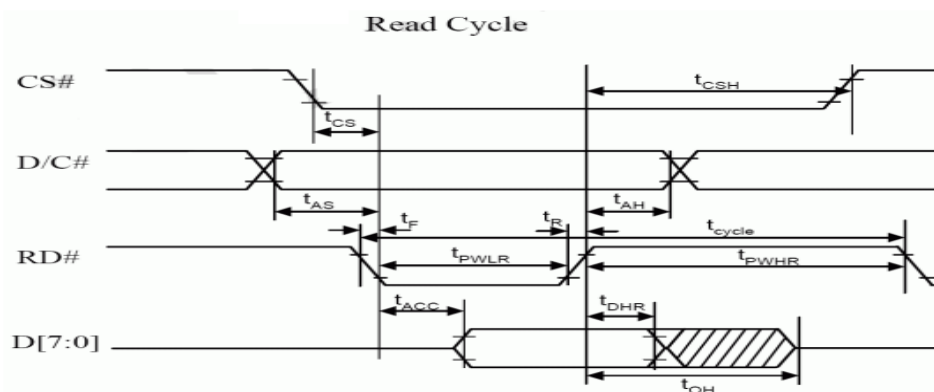
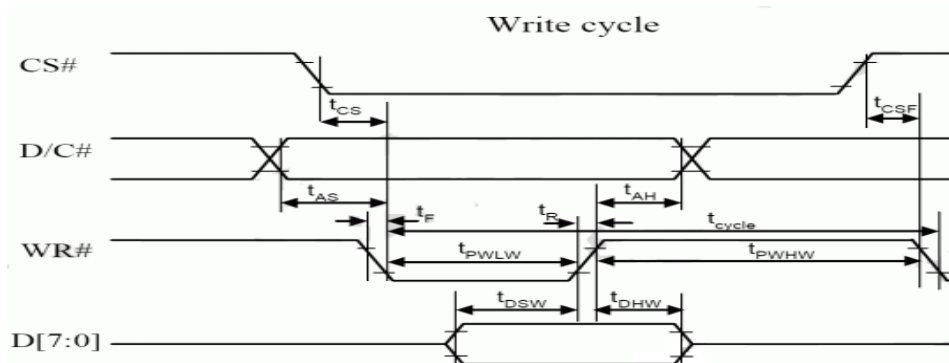
6800 MPU Interface

Symbol	Parameter	Min	Typ	Max	Unit
t <sub>cycle</sub>	Clock Cycle Time	300	-	-	ns
t <sub>AS</sub>	Address Setup Time	0	-	-	ns
t <sub>AH</sub>	Address Hold Time	0	-	-	ns
t <sub>DSW</sub>	Write Data Setup Time	40	-	-	ns
t <sub>DHW</sub>	Write Data Hold Time	7	-	-	ns
t <sub>DHR</sub>	Read Data Hold Time	20	-	-	ns
t <sub>OH</sub>	Output Disable Time	-	-	70	ns
t <sub>ACC</sub>	Access Time	-	-	140	ns
PW <sub>CSL</sub>	Chip Select Low Pulse Width (read) Chip Select Low Pulse Width (write)	120 60	-	-	ns
PW <sub>CSH</sub>	Chip Select High Pulse Width (read) Chip Select High Pulse Width (write)	60 60	-	-	ns
t <sub>R</sub>	Rise Time	-	-	40	ns
t <sub>F</sub>	Fall Time	-	-	40	ns



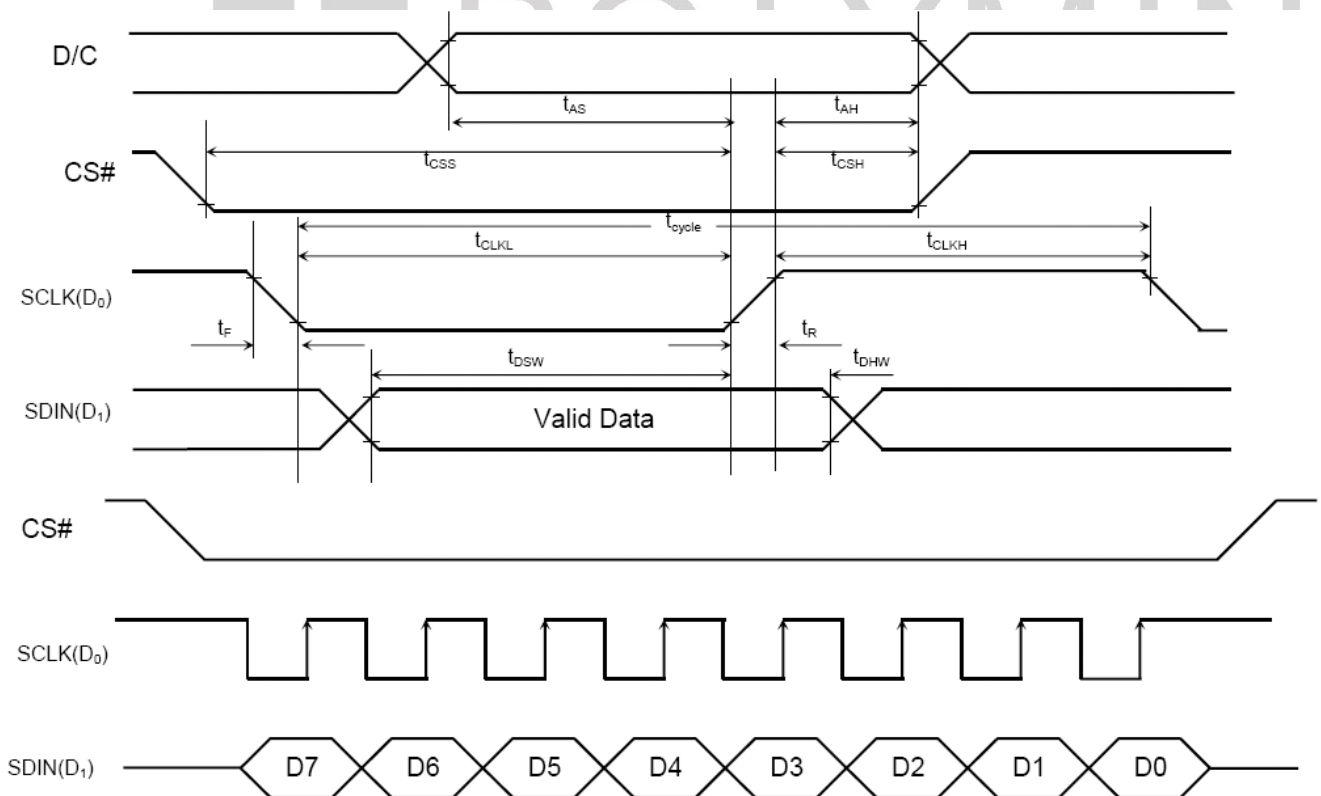
## 8080 MPU Interface

Symbol	Parameter	Min	Typ	Max	Unit
t <sub>cycle</sub>	Clock Cycle Time	300	-	-	ns
t <sub>AS</sub>	Address Setup Time	10	-	-	ns
t <sub>AH</sub>	Address Hold Time	0	-	-	ns
t <sub>DSW</sub>	Write Data Setup Time	40	-	-	ns
t <sub>DHW</sub>	Write Data Hold Time	7	-	-	ns
t <sub>DHR</sub>	Read Data Hold Time	20	-	-	ns
t <sub>OH</sub>	Output Disable Time	-	-	70	ns
t <sub>ACC</sub>	Access Time	-	-	140	ns
PWCSL	Chip Select Low Pulse Width (read) Chip Select Low Pulse Width (write)	120 60	- -	- -	ns
PWCSH	Chip Select High Pulse Width (read) Chip Select High Pulse Width (write)	60 60	- -	- -	ns
t <sub>R</sub>	Rise Time	-	-	40	ns
t <sub>F</sub>	Fall Time	-	-	40	ns
t <sub>CS</sub>	Chip select setup time	0	-	-	ns
t <sub>CSH</sub>	Chip select hold time to read signal	0	-	-	ns
t <sub>CSF</sub>	Chip select hold time	20	-	-	ns



## SPI Interface

Symbol	Parameter	Min	Typ	Max	Unit
t <sub>cycle</sub>	Clock Cycle Time	100	-	-	ns
t <sub>AS</sub>	Address Setup Time	15	-	-	ns
t <sub>AH</sub>	Address Hold Time	15	-	-	ns
t <sub>CSS</sub>	Chip Select Setup Time	20	-	-	ns
t <sub>CSH</sub>	Chip Select Hold Time	10	-	-	ns
t <sub>DSW</sub>	Write Data Setup Time	15	-	-	ns
t <sub>DHW</sub>	Write Data Hold Time	15	-	-	ns
t <sub>CLKL</sub>	Clock Low Time	20	-	-	ns
t <sub>CLKH</sub>	Clock High Time	20	-	-	ns
t <sub>R</sub>	Rise Time	-	-	40	ns
t <sub>F</sub>	Fall Time	-	-	40	ns



## 9.2 Display Control Instruction

Command table refer to IC spec.: SPD0301

## 10 Quality Assurance

### 10.1 Inspection conditions

1. The inspection and measurement are performed under the following conditions,
2. unless otherwise specified.
3. Temperature: 25±5°C
4. Humidity: 50±10%R.H.
5. Distance between the panel and eyes of the inspector  $\geq 30\text{cm}$

### 10.2 Inspection Parameters

Severity	Inspection Item	Defect	Remark
Major Defect	1. Panel	(1) Non-displaying	
		(2) Line defects	
		(3) Malfunction	
Major Defect	2. Film	(1) Film dimension out of specification	Can not be assembled
	3. Dimension	(1) Outline dimension out of specification	
Minor Defect	1. Panel	(1) Glass scratch	Appearance defect
		(2) Glass cutting NG	
		(3) Glass chip	
	2. Polarizer	(1) Polarizer scratch	
		(2) Stains on surface	
		(3) Polarizer bubbles	
	3. Displaying	(1) Dim spot 、 Bright spot 、dust	
4. Film	(1) Damage (2) Foreign material		

Description	Criterion			AQL
1. Glass scratch	Width (mm) W	Length (mm) L	number of pieces permitted	Minor
	$W \leq 0.03$	Ignore	Ignore	
	$0.03 < W \leq 0.05$	$L \leq 3$	3	
	$0.05 < W$ beyond A.A.	----- -----	None Ignore	
2. Polarizer bubble	Size	number of pieces permitted		Minor
	$\Phi \leq 0.2$	Ignore		
	$0.2 < \Phi \leq 0.5$	2		
	$0.5 < \Phi$ beyond A.A.	0 Ignore		
3. Dimming spot 、 Lighting spot 、 Dust	average	number of		Minor
	$D \leq 0.1$	Ignore		
	$0.1 < D \leq 0.15$	2		
	$0.15 < D \leq 0.2$	1		
	$0.2 < D$ beyond A.A.	0 Ignore		
D=(long diameter + short diameter)/2. Pixel off is not allowed.				

### 10.3 WARRANTY POLICY

Bolymin . Will provide one-year warranty for the products only if under specification operating conditions.

If there are functional defects found during the period of warranty, the defective products would be replaced on a one-to-one basis.

Bolymin would not be responsible for any direct/indirect liabilities consequential to any parties.

### 10.4 MTBF

10.4.1 .MTBF based on specific test condition is 85K hours.

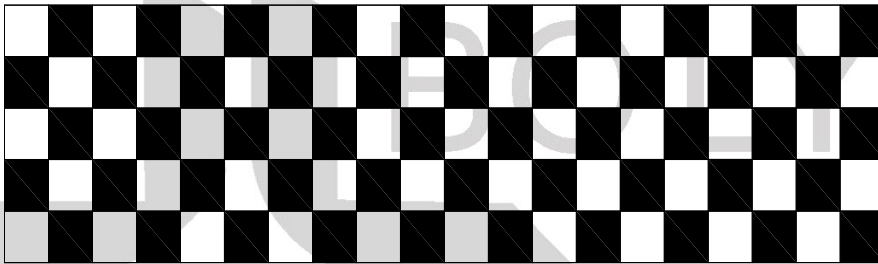
10.4.2 Test Condition:

10.4.2.1 Supply Voltage:  $V_{cc}=14V$

10.4.2.2 Luminance:  $<70\text{cd/m}^2$

10.4.2.3 Operation temperature and humidity:  $<25\text{ }^\circ\text{C}$  and 50%RH

10.4.2.4 Run-Patterns



:

10.4.3 Test Criteria:

Luminance has decayed to less than 50% of the initial measured luminance.

## 11. Reliability

### ■ Content of Reliability Test

NO.	Items.	Specification	Applicable Standard
1	High temp. (Non-operation)	85°C, 240hrs	—
2	High temp. (Operation)	70°C, 120hrs	—
3	Low temp. (Operation)	-40°C, 120hrs	—
4	High temp. / High. humidity (Operation)	65°C, 90%RH, 96hrs	—
5	Thermal shock(Non-operation)	-40°C ~85°C (-40°C /30min; transit /3min; 85°C /30min; transit /3min) 1cycle: 66min, 20 cycles.	—
6	Vibration	Frequency : 5~50HZ, 0.5G Scan rate : 1 oct/min Time : 2 hrs/axis Test axis : X, Y, Z	—

### Test and measurement conditions

1. All measurements shall not be started until the specimens attain to temperature stability.
2. All-pixels-on is used as operation test pattern.
3. The degradation of Polarizer are ignored for item 1 & 4 & 5.

### Criteria

1. The function test is OK.
2. No observable defects.
3. Luminance: >50% of initial value.
4. Current consumption : within  $\pm 50\%$  of initial value.

### Reliability Test

Bolymin only guarantees the reliability of the panel under the test conditions and durations listed in the specification, and is not responsible for any test results that are conducted using more stringent conditions and/or with lengthened durations. Also, when the testing the panel in a chamber or oven, make sure they won't produce any condensation on the panel, especially on the electrical leads, before lighting on the panel to see if it passes the test. Also the panel should rest for about an hour at room temperature and pressure before the measurement, as indicated in the specification. Be aware that one should use fresh panel for each of the reliability test items listed in the specification, in other words, don't use the panels that were tested for subsequent tests.



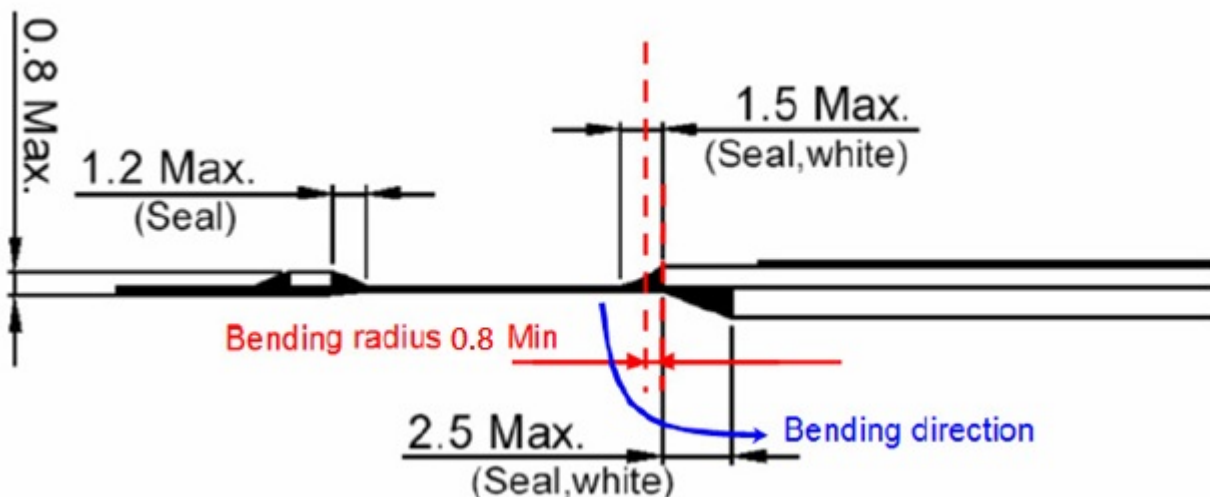
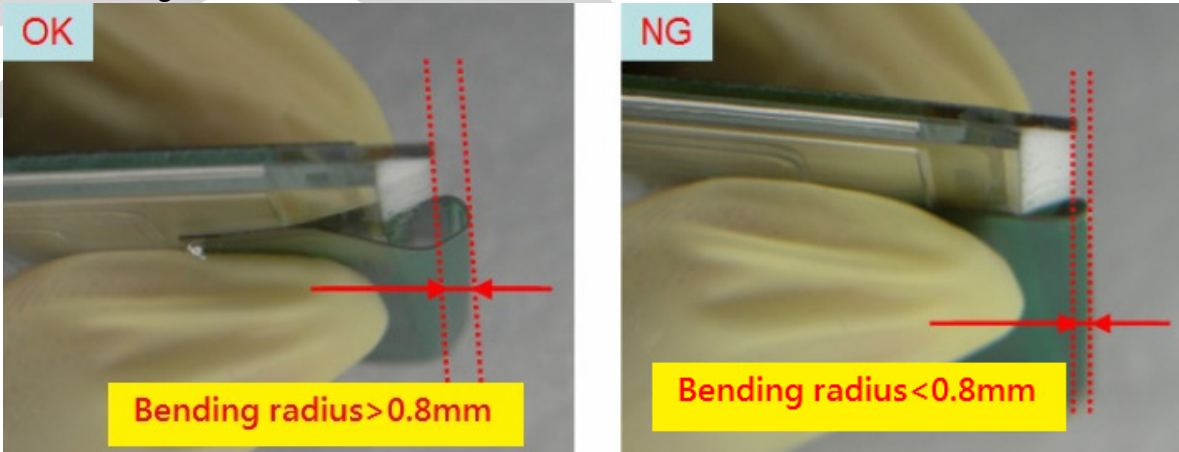
## 12. Precautions for Handling

- 12.1 When handling the module, wear powder-free antistatic rubber finger cots, and be careful not to bend and twist it.
- 12.2 The OLED module is consisted of glass and film, and it should avoid pressure, strong impact, or being dropped from a height.
- 12.3 The OLED module is an electronic component and is subject to damage caused by Electro Static

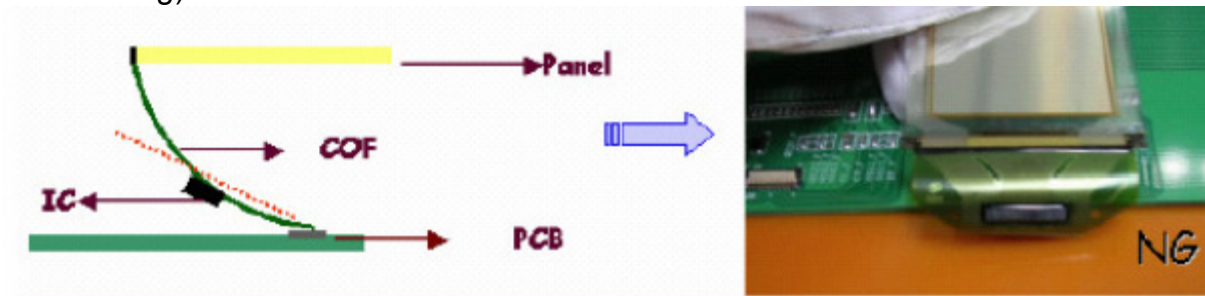
Discharge (ESD) and hence normal ESD precautions must be taken when handling it. Also, appropriate ESD protective environment must be administered and maintained in the production line. When handling and assembling the panel, wear an antistatic wrist strap with the alligator clip attached to the ground to prevent ESD damage on the panel. Also, ground the tools being used for panel assembly and make sure the working environment is not too dry to cause ESD problems. (See the photos below).



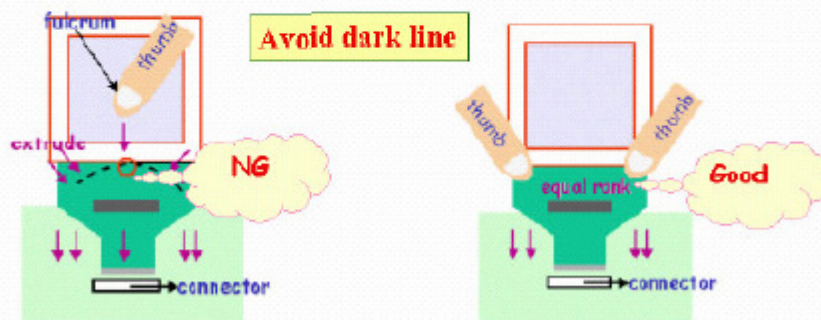
- 12.4 Please do not bend the film near the substrate glass.(this could cause film peeling and COF damage) and the peeling strength about 600g/cm, the bending <20times and the bending radius : $R > 0.8\text{mm}$



12.5 Avoid bending the film at IC bonding area. (>1.5mm)(this could damage the ILB bonding)



12.6 Use both thumbs to insert COF into the connector when assembling the panel. See the photo on the far right below for correct insertion of the film into the connector (one-handed insertion exerts uneven force on the film and could cause its breakage, photo on the left)



12.7 Do not wipe the pin of film with the dry or hard materials that will damage the surface. When cleaning the display surface, use soft cloth solvent and wipe gently (Recommend solvent: IPA, alcohol), and do not wipe the display with dry or hard materials that will damage the polarizer surface and do not use the solvent like: Water, Acetone, Aromatic

## 13. Precautions for Electrical

### 13.1. Design using the settings in the specification

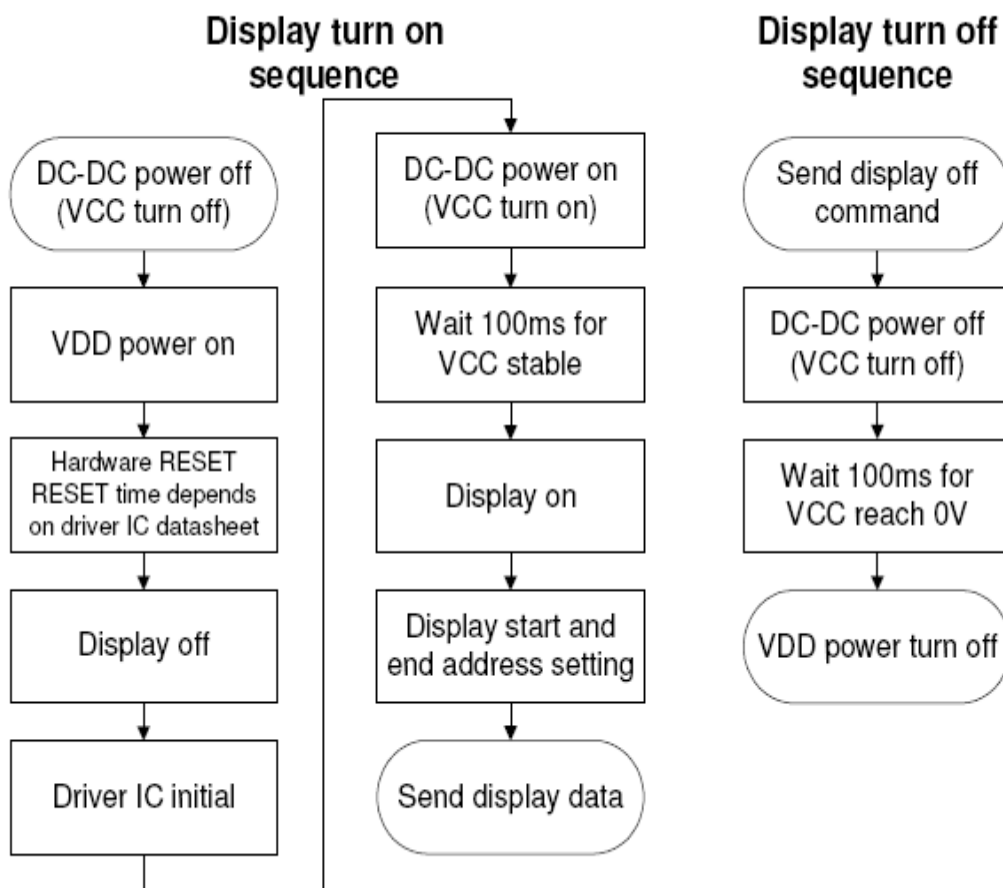
It is extremely important to design and operate the panel using the settings listed in the specification. This includes voltage, current, frame rate, duty cycle... etc. Operation of the OLED outside the specified range in the specification should be entirely avoided to ensure proper operation of the OLED.

### 13.2. Maximum Ratings

To ensure proper operation of the panel, never design the panel with parameters running over the maximum ratings listed in the specification. Also the logic voltages such as VIL and VIH have to be within the specified range in the specification to prevent any improper operation of the panel.

### 13.3 Power on/off procedure

Any operation that does not comply with the procedure could cause permanent damage of the IC and should be avoided. When the logic power is not on, do not activate any input signal. Abrupt shutdown of power to the module, while the OLED panel is on, could cause OLED panel malfunctioning.



### 13.4 Power savings

To save power consumption of the OLED, one can use partial display or sleep mode when the panel is not fully activated. Also, if possible, make maximum use of black background to save power. The OLED is a self-luminous device, and a particular pixel cluster or image can be lit on via software control, so power savings can be achieved by partial display or dimming down the luminance. Depending on the application, the user can choose among Ultra Bright Mode, Normal Operation Mode, and Sleeping Mode.

The power consumption is almost in direct proportion to the brightness of the panel, and also

in direct proportion to the number of pixels lit on the panel, so the customer can save the power by the use of black background and Sleeping Mode. One benefit from using these design schemes is the extension of the OLED lifetime.

### **13.5 Residual Image (Image Sticking)**

The OLED is a self-emissive device. As with other self-emissive device or displays consisting of self-emissive pixels, when a static image frozen for a long period of time is changed to another one with all-pixels-on background, residual image or image sticking is noticed by the human eye. Image sticking is due to the luminance difference or contrast between the pixels that were previously turned on and the pixels that are newly turned on. The time when image sticking happens depends on the luminance decay curve of the display. The slower the decay, the less prominent the image sticking is. It is strongly recommended that the user employ the following three strategies to minimize image sticking

- 13.5.1 Employ image scrolling or animation to even out the lit-on time of each and every pixel on the display, also could use sleeping mode for reduced the residual image and extend the power capacity.
- 13.5.2 Minimize the use of all-pixels-on or full white background in their application because when the panel is turned on full white, the image sticking from previously shown patterns is the most revealing. Black background is the best for power savings, greatest visibility, eye appealing, and dazzling displays
- 13.5.3 If in the reliability test when a static logo is used, change the pattern into its inverse (i.e., turn off the while pixels and turn on the previously unlit pixels) and freeze the inverse pattern as long as the original logo is used, so every pixel on the panel can be lit on for about the same time to minimize image sticking, caused by the differential turn-on time between the original and its reverse patterns

## 14. Precautions for Storage

Although the storage conditions and guarantee period are indicated in the specification, it is advisable to store the packed cartons or packages at  $23^{\circ}\text{C} \pm 5^{\circ}\text{C}$ ,  $55\% \pm 10\% \text{RH}$  (Note A). Do not store the OLED module under direct sunlight or UV light and for best panel performance. The constant working OLED display module decays slower than the module that is not working. And it's better to use the module on the field within one month after unpacking the package.

Note (A):

Vacuum Packaging

Desiccant x 2

Humidity indicator card



Humidity indicator card

As the humidity increases, the chemically impregnated spots change from a brown color (DRY) to a blue color (HUMID).

